



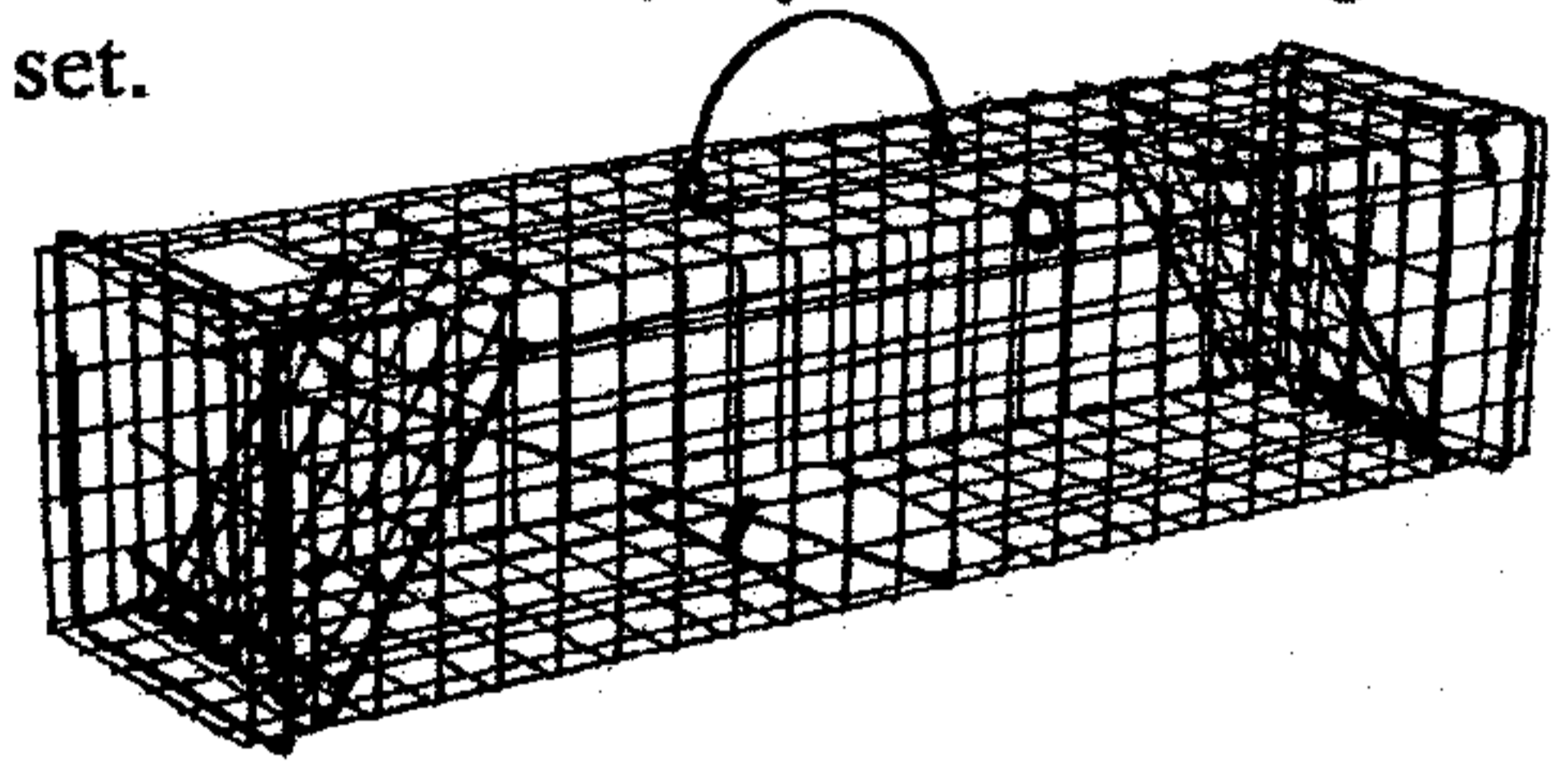
# Tomahawk Live Trap<sup>llc</sup>

*Manufacturing Traps and Cages Since 1925*

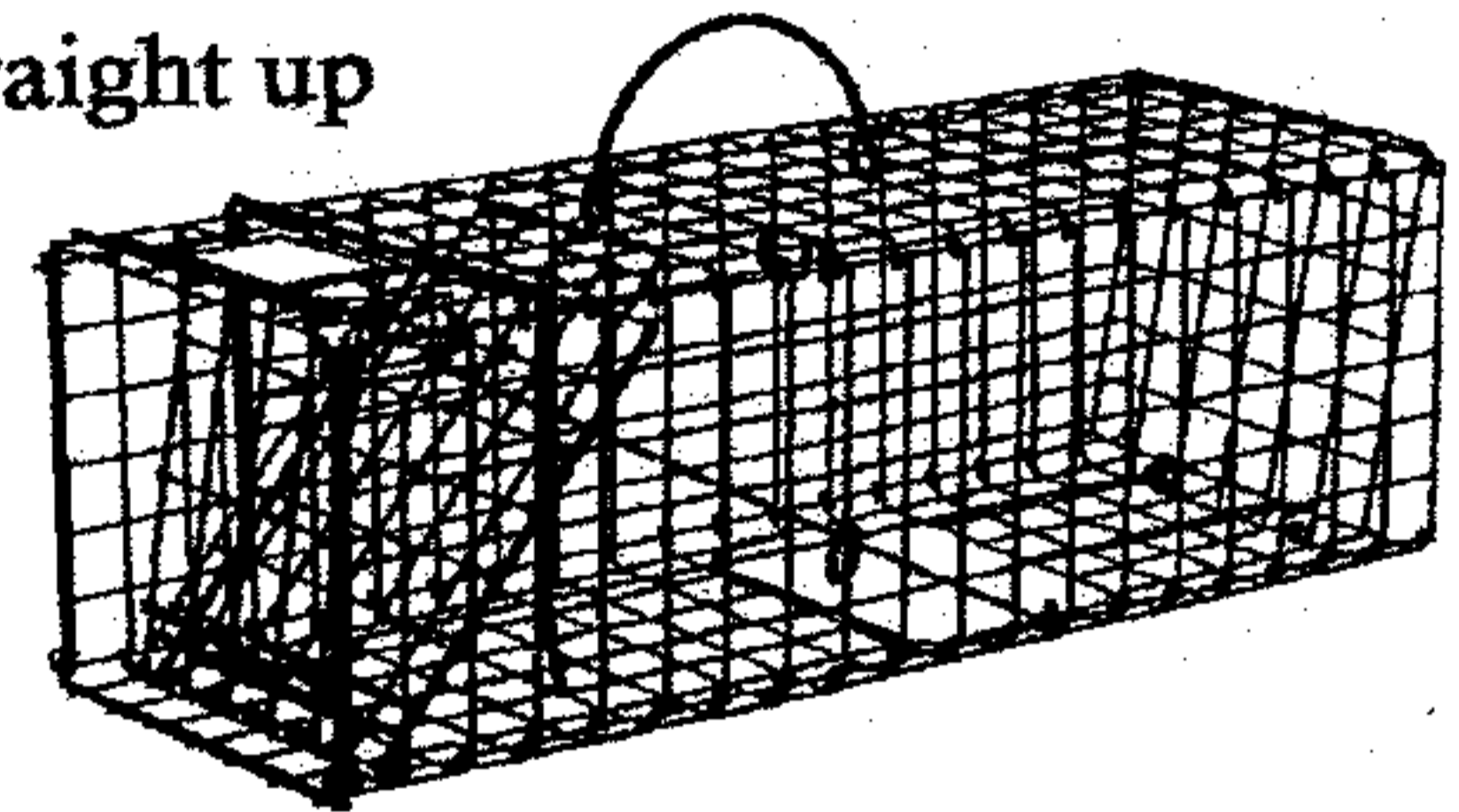
## Setting and Baiting Your Live Trap

- 1) **Rigid Double Door Live Traps:** When preparing to trap an animal with a Tomahawk Double Door Live Trap, bait is optional because double door traps operate as runway traps. To set the double door trap, start with the V-door located at the back of the trap (opposite end of the Tomahawk name plate). Simply push in and lift the back V-door to the top, inside of the trap. While holding the back V-door up against the trap, slowly lift the front trap door, (located by the Tomahawk name plate) and raise it to the top, inside of the trap. During the lifting motion of the front door, the trigger located at the back of the trap will hook onto the back door and hold the door in place. Once the trigger has a hold of the back door, let go of the back door and hook the trigger at the front end of the trap over the brass roller on the front V-door. Remember, if you are setting both trap doors, the back door must be set first or the front door cannot be set.

**Single Door Set Option:** The Tomahawk Double Door Trap can also be used for single door catches. To set for a single door catch, simply push in on the front V-door (located by the Tomahawk name plate) and pull the door up to the inside top of the trap. Push the trigger forward onto the brass roller of the front V-door. Make sure you place the bait between the trip pan and rear door. Do not place any bait on the trip pan.



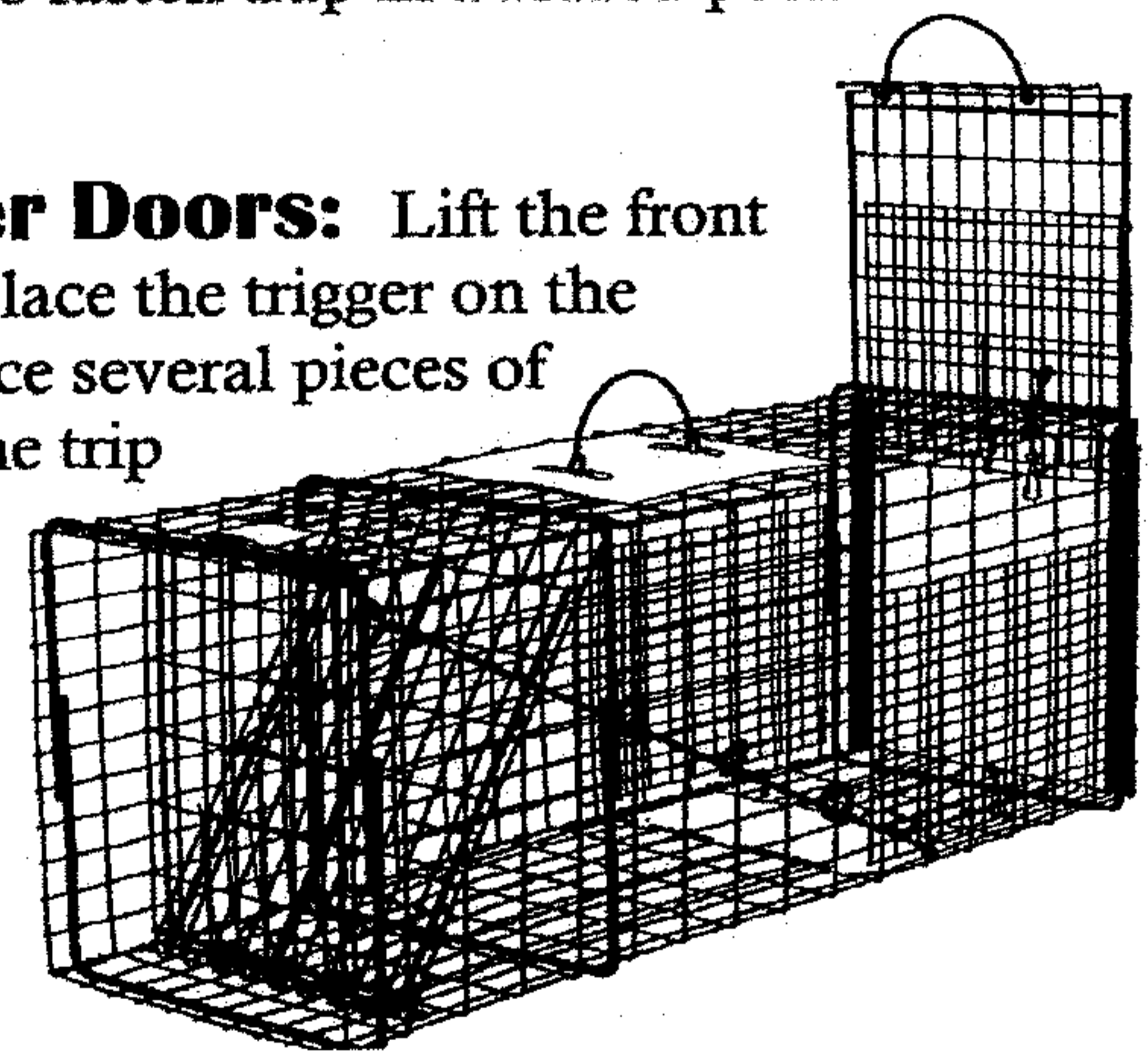
- 2) **Collapsible Live Traps:** To set a collapsible trap, release all roll hooks which hold the trap in a collapsed position. Open the trap to a square position by simply lifting up on the handle. If the trap does not open into the square position fairly easy, do not force the trap, instead, look for something that may be catching. The front trap door should spring down instantly, however you will have to pull the rear door down and hook into position with a roll hook. Next, swing the U-bar down over the trap to a straight up and down position and clip the roll hooks over the bottom ends of the U-bar. (Model No 201 does not have roll hooks to hold the U-bar down.) Place several pieces of bait in front of the trap, with the majority of the bait centered between the trip pan and the back of the live trap. Do not put any food directly on the trip pan.



- 3) **To Fold Collapsible Traps:** Place the trap in front of you and swing the U-bar back to a folding position. Raise both the front and rear doors up against the inside of the trap. (They are built to fold this way only.) After the doors are folded in, simply press the sides of the trap together until the trap is folded flat. Do not use extreme force while opening or folding the live trap. Use the roll hooks to fasten trap in a folded position. In just one or two trial runs, you will find the trap very simple to operate.

- 4) **Rigid Single Door Live Traps with or without Transfer Doors:** Lift the front V-door and push in while raising the door to the top inside of the trap. Place the trigger on the brass roller located on the V-door by pulling the trigger rod forward. Place several pieces of bait in front of the trap, with the majority of the bait centered between the trip pan and the back of the live trap. Do not put any food on the trip pan.

- 5) **Suggested Bait:** For trapping small mammals such as squirrels and chipmunks, use peanut butter, peanuts, or dry dog food; medium mammals such as ground hogs and rabbits, use freshly sliced apples; and larger mammals such as raccoons, use melted marshmallows.

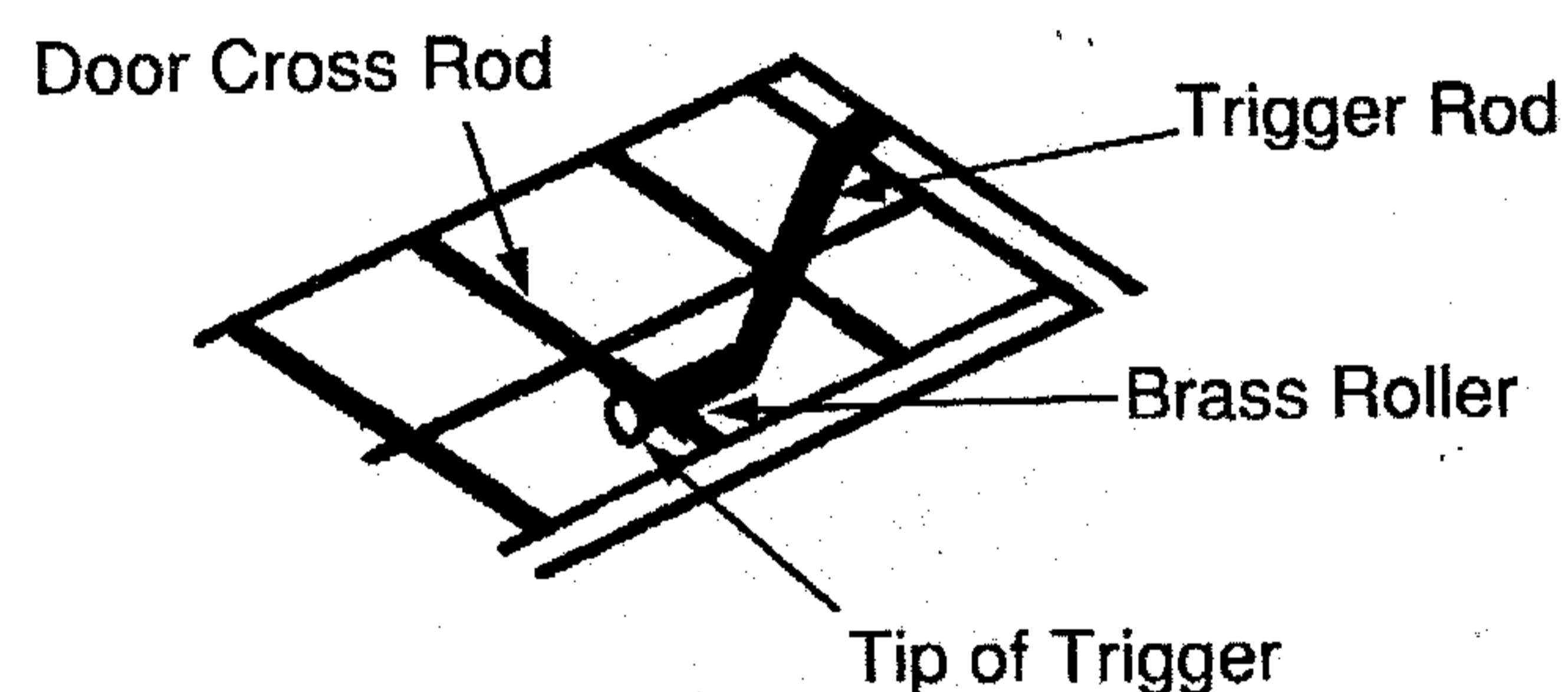


# Light and Heavy Trigger Settings

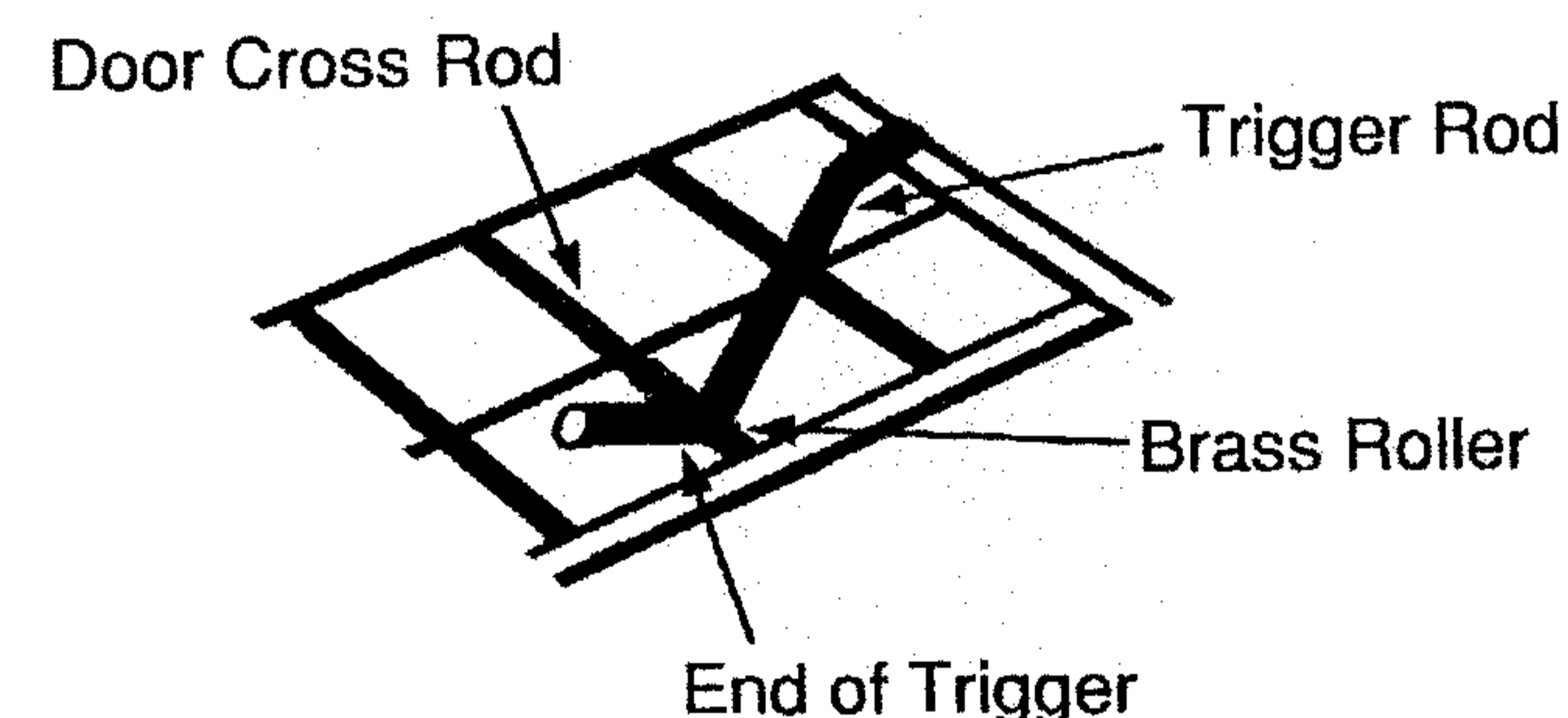
- 1) **Setting the Trigger Rod:** Lift the front trap door and set the trigger by putting your finger through the side of the trap and pushing the trigger rod forward onto the brass roller located on the V-door. It is always a good idea to test the trap and spring it a few times to make sure it is working properly after shipping. For example, spring the trap after it is set by pushing down on the trip pan with a pen or pencil. The trap door should spring down immediately.

➤ **Magnified View of Trigger:** The size of the trigger illustrated below is greatly amplified for your viewing convenience. The actual size of the trigger is significantly smaller.

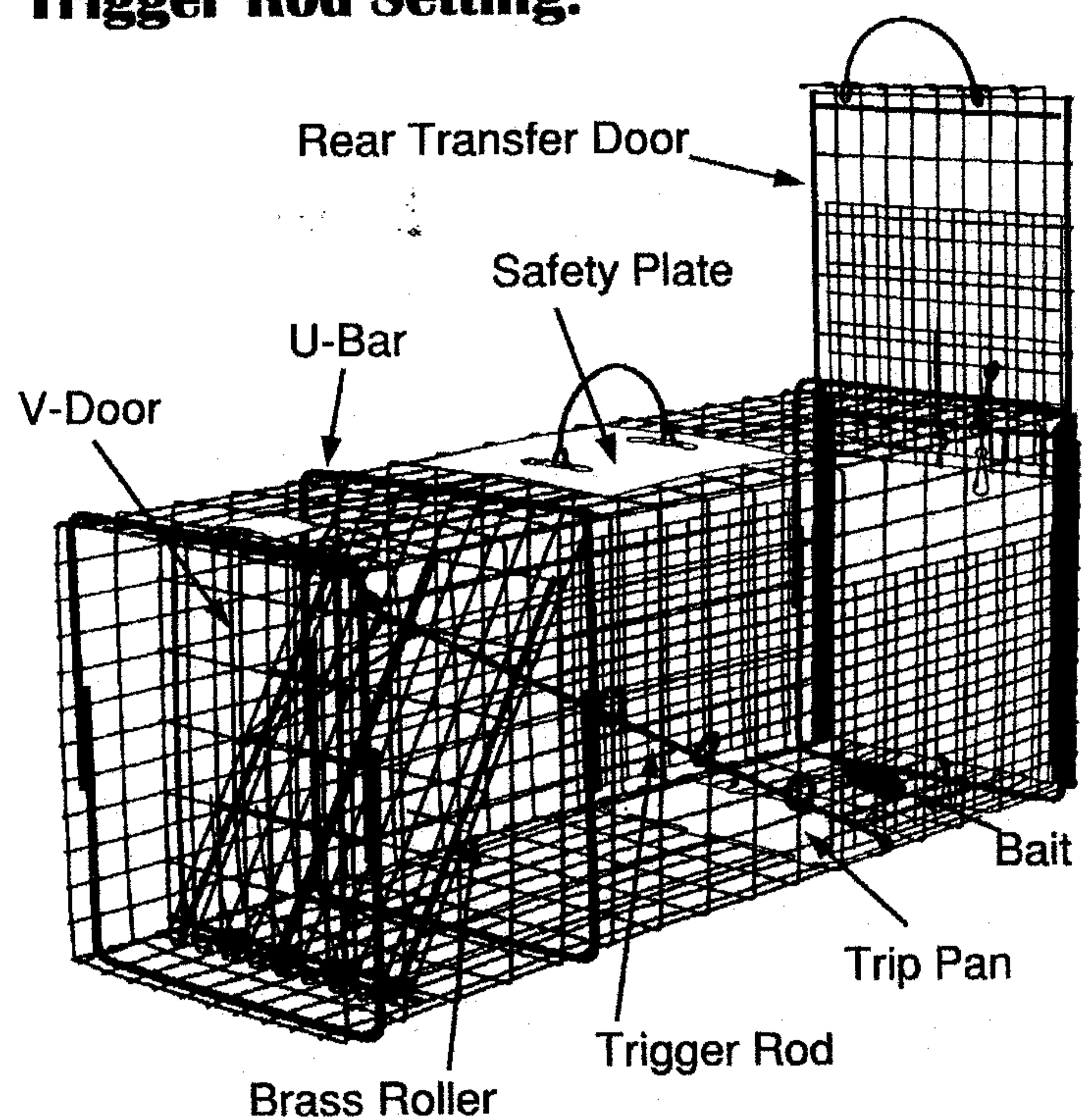
- 2) **Light Trigger Setting:** Place just the tip of the trigger under the brass roller located on the door cross rod of the V-door. This is useful for capturing baby animals, and light weight animals. Please see below:



- 3) **Heavy Trigger Setting:** Push the end of the trigger completely under the brass roller located on the door cross rod of the V-door. This prevents light weight animals from tripping the pan before the desired animal enters the trap. Please see below:



## Trigger Rod Setting:



- 4) **Releasing Captured Animals:** Depending on which Tomahawk Trap you received, there are several ways to release trapped animals. Single door trap with rear transfer door: unsnap the safety hook on the sliding rear door, and pull up on the door handle. Single door trap: set the trap on its end with the trap door facing up, push the V-door in and up against the top inside of the trap, hold the door up while placing the trap on the ground, and the animal will leave. The same procedure works on double door traps. It does not matter which trap door you open to release the animal.
- 5) **Successful Live Trapping:** When you receive your Tomahawk Live Trap, it will be clean, bright and new. Most animals do not mind entering new and clean traps, however, some animals may feel more comfortable entering a camouflaged trap. Camouflaging a trap is a very easy and effective means for trapping an animal. You can spray water and dirt on the trap to give it a conditioned look. You can also place twigs and leaves all over the trap, and trip pan. Make sure you do not place any leaves or twigs over the bait, or hinder the trap door from springing down.